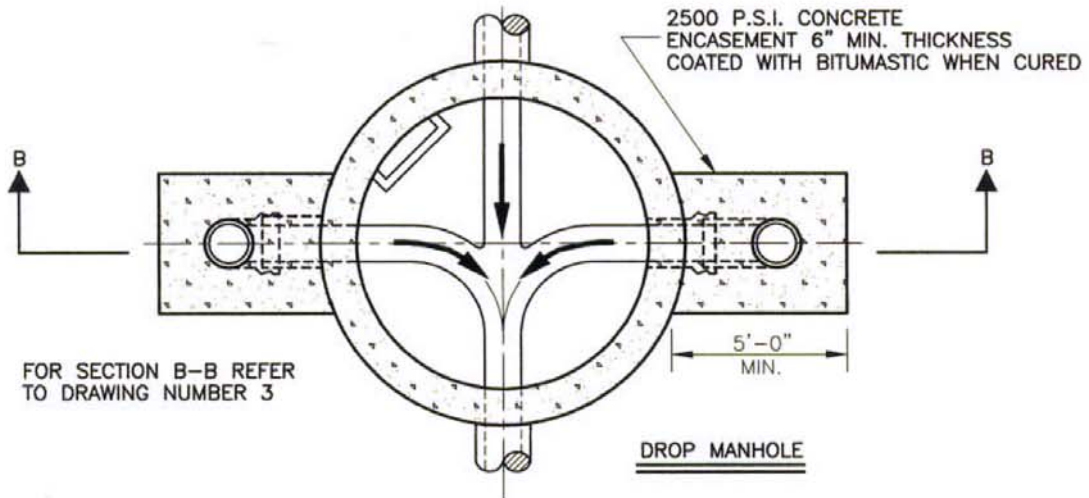
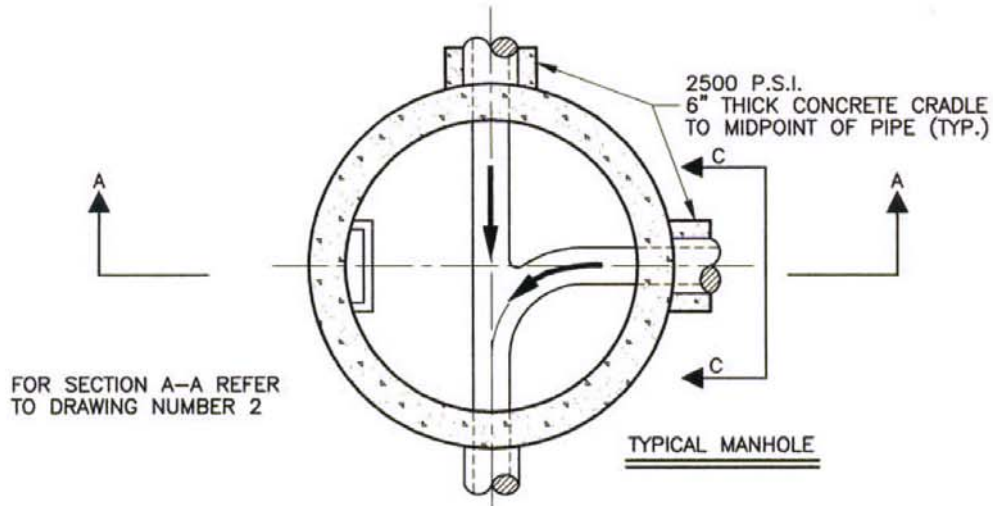
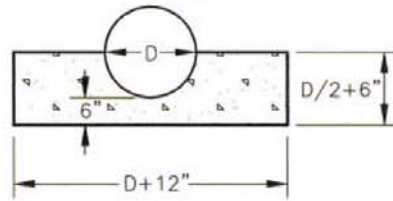


SECTION C-C



STANDARD DETAIL

**SECTIONAL PLAN VIEW OF
TYPICAL AND DROP MANHOLES**

NOT TO SCALE | 06/01 | DWG. NO.1