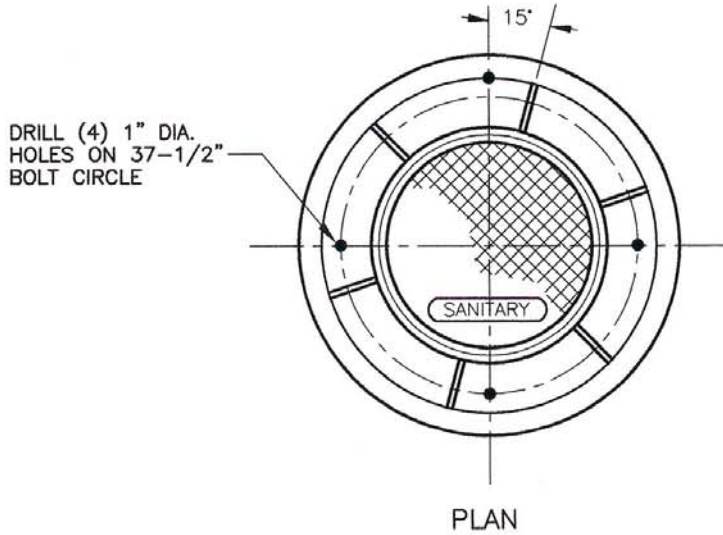
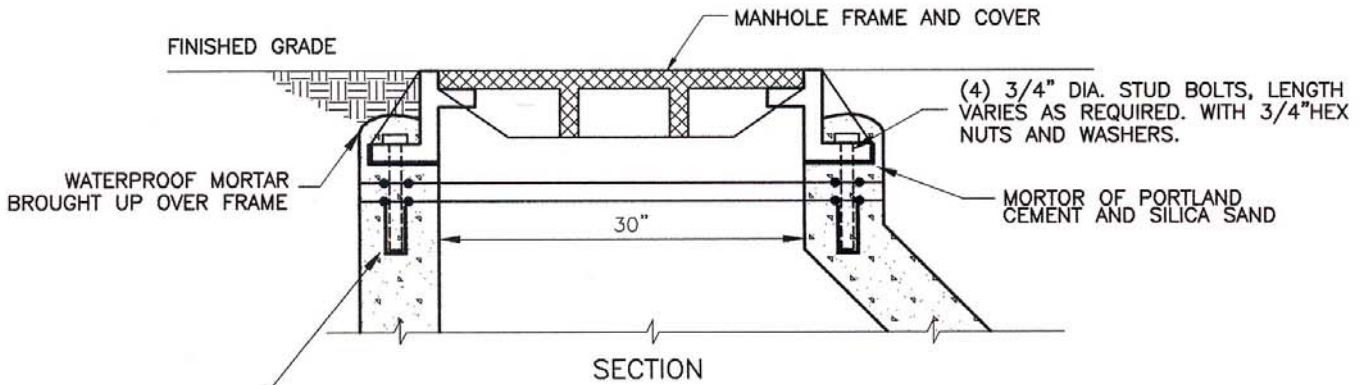


**NOTE:**  
 THE WORD "SANITARY" MUST  
 BE ON THE MANHOLE COVER



PRECAST CONCRETE RINGS ARE REQUIRED ONLY WHERE MANHOLE FRAME AND COVER MUST CONFORM TO GRADE OF STREET. THE TOPS OF ALL WATERTIGHT MANHOLE FRAMES & COVERS SHALL BE NO LESS THAN (1) FOOT ABOVE GRADE AS DIRECTED BY AUTHORITY. MAX. HEIGHT ADJUSTMENT W/RINGS IS 12"



(4) ANCHORING DEVICES FOR 3/4" DIA. BOLTS ON MIN. 37 1/2" FLANGE B.C. PATTERN INSTALLED IN PRECAST CONCRETE MANHOLE CONE SECTIONS BY MH MFG.

## STANDARD DETAIL

MANHOLE FRAME AND COVER  
 INSTALLATION FOR PRECAST  
 CONCRETE MANHOLES

NOT TO SCALE | 06/01 | DWG. NO.4