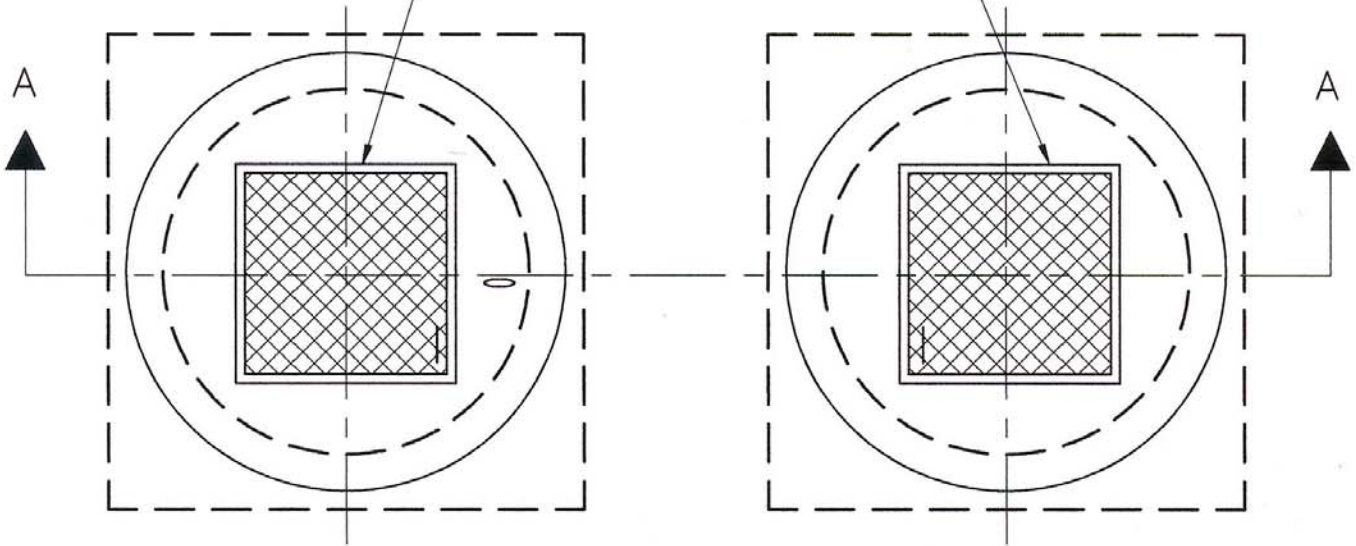


HALLIDAY ACCESS DOOR- 36"x48"
AND FRAME-PLATE ALUMINUM
SECTION 11306(2.04)



STANDARD DETAIL

**WET WELL AND VALVE PIT
ACCESS DOORS
PLAN VIEW**

NOT TO SCALE | 06/01 | DWG. NO.12B